

# ASSEMBLY INSTRUCTION

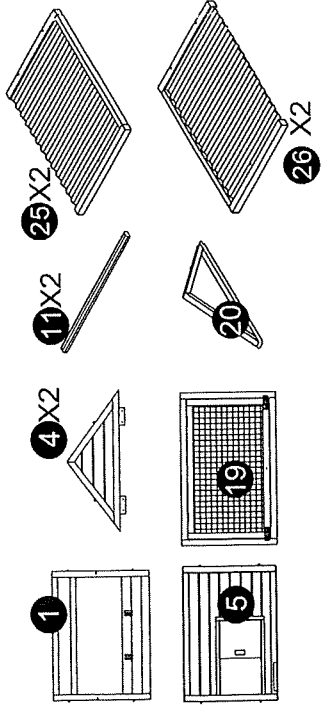
## Dierenverblijf Ariane



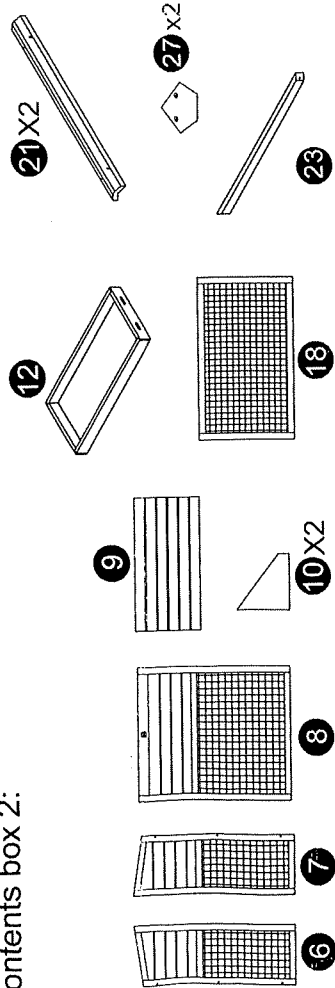
DSP International

### contents box 1:

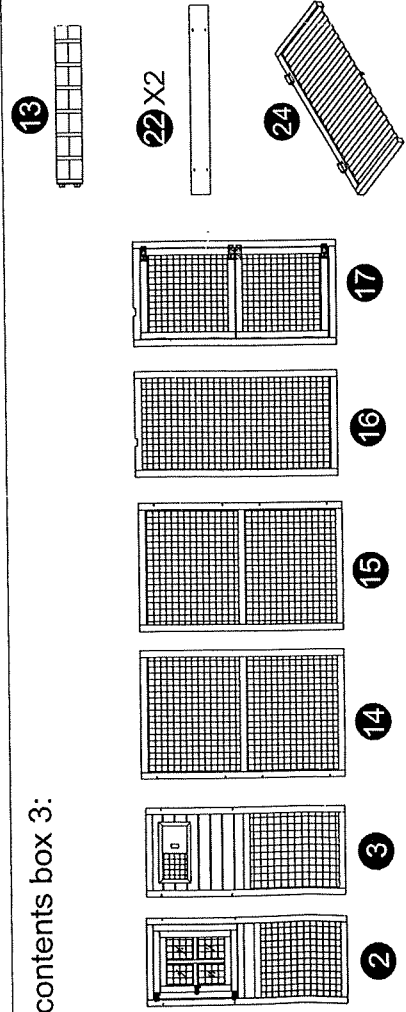
- A** 3.5x60= 24x
- B** 3.5x40= 30x
- C** M6x50= 2x
- D** +⊙ M4x40= 4x
- E** 3.5x25= 24x
- F** 3.0x16= 6x
- G** 1x



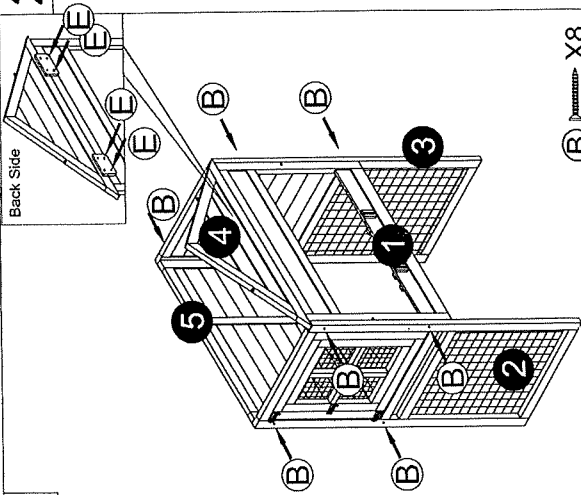
### contents box 2:



### contents box 3:

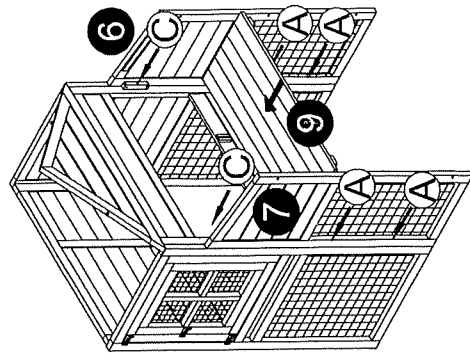


### 1



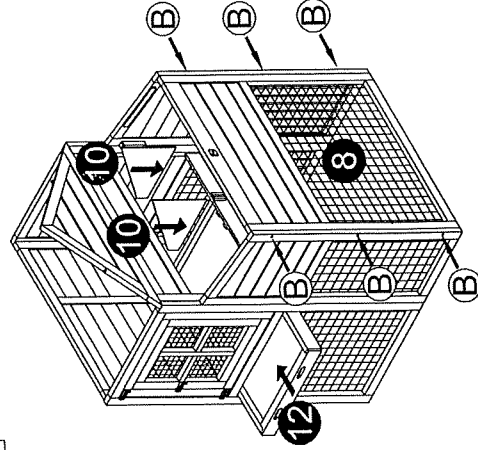
- B** X8
- E** X4

### 2



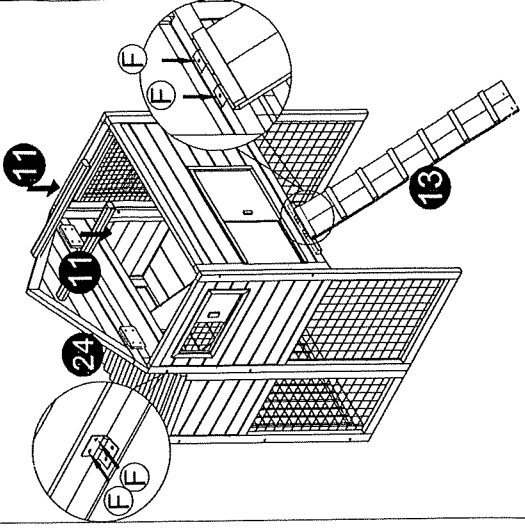
- A** X4
- C** X2

### 3



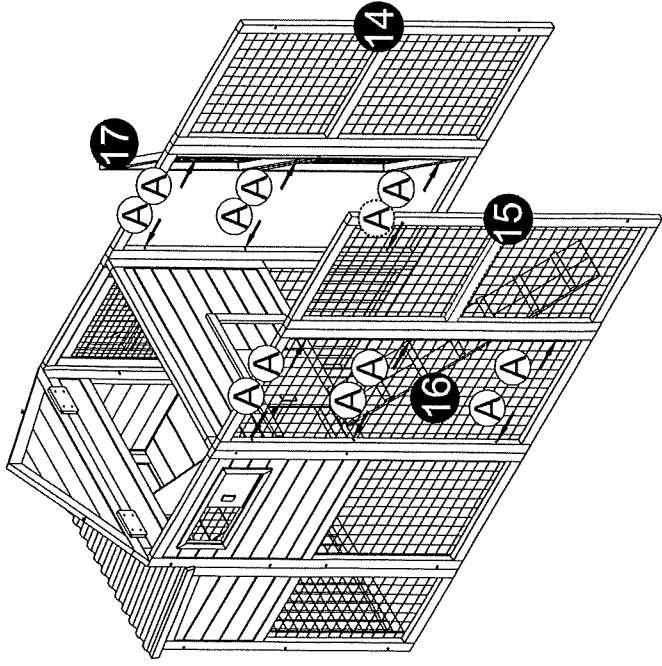
- B** X6

### 4



- E** X6

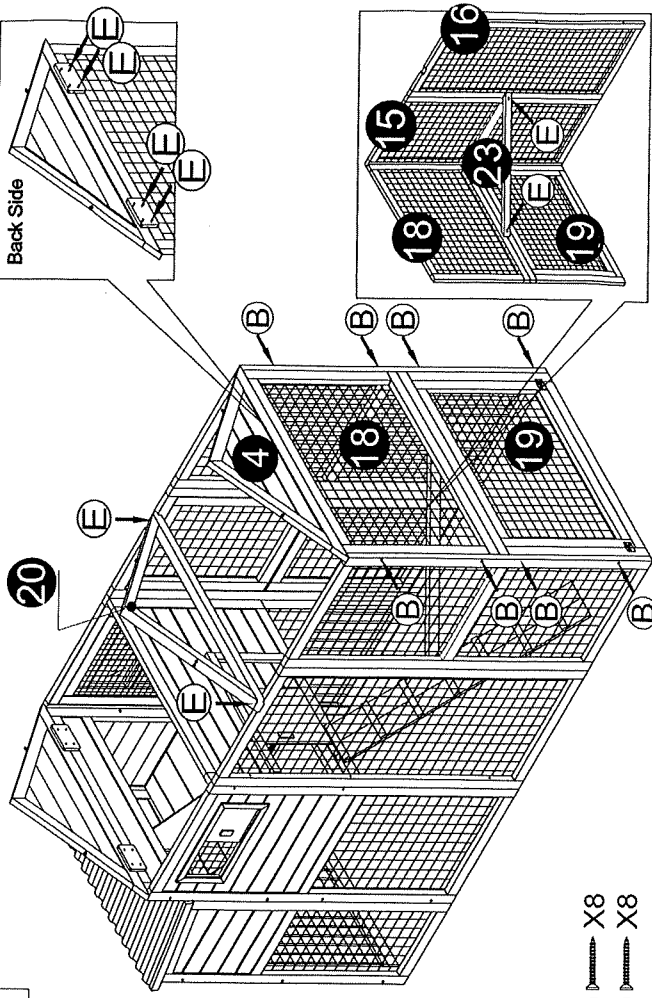
5



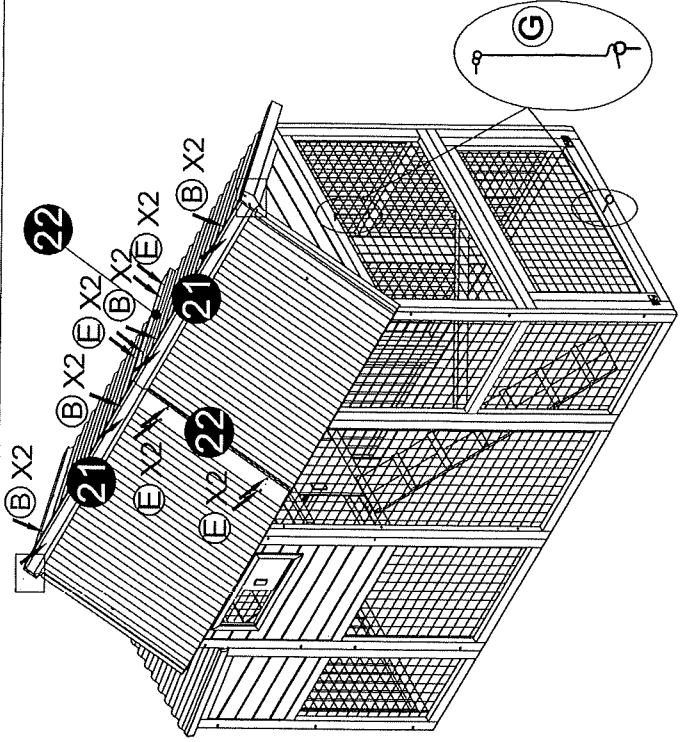
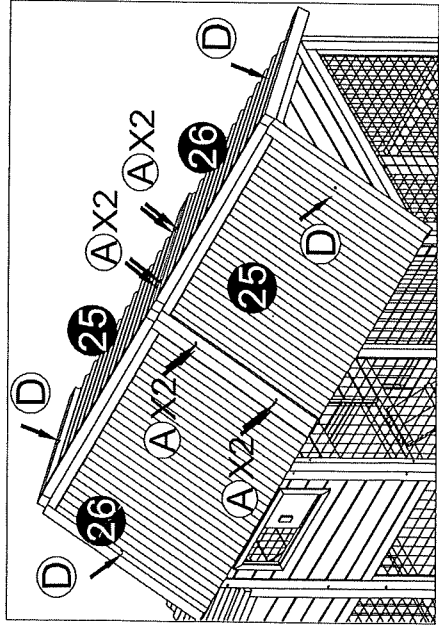
(A) X12

(B) X8  
 (E) X8

6



7



(D) X4  
 (E) X12  
 (G) X1  
 (A) X8  
 (B) X8